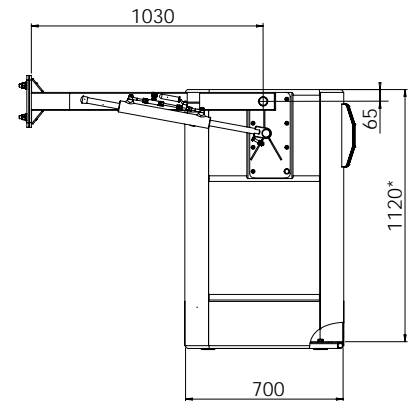
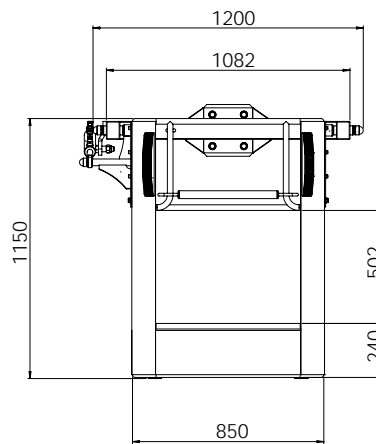




<b>FAB 1 S</b> ACCIAIO STEEL	700x850x1150 mm	100 Kg	120 Kg	1 Kv	1
<b>FAB 1</b> ALLUMINIO ALUMINUM	700x850x1150 mm	78 Kg	120 Kg	1 Kv	1

Necessario kit Fullmatic in conformità EN 280 - Kit Fullmatic needed for norm EN 280

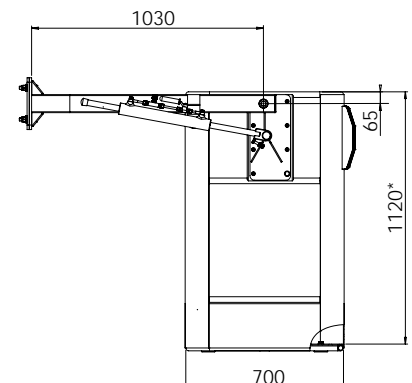
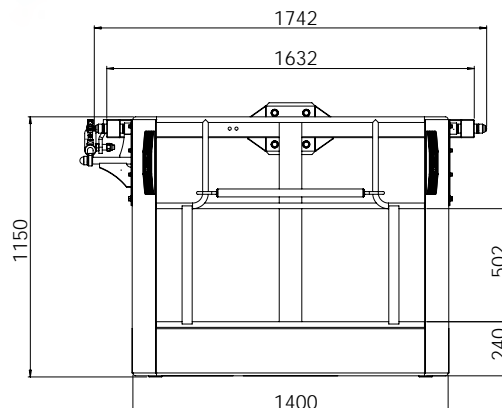


\*Dal piano di calpestio  
\*Inside the basket



<b>FAB 2 S</b> ACCIAIO STEEL	700x1400x1150 mm	110 Kg	200 Kg	1 Kv	2
<b>FAB 2</b> ALLUMINIO ALUMINUM	700x1400x1150 mm	88 Kg	200 Kg	1 Kv	2

Necessario kit Fullmatic in conformità EN 280 - Kit Fullmatic needed for norm EN 280



\*Dal piano di calpestio  
\*Inside the basket

