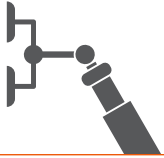


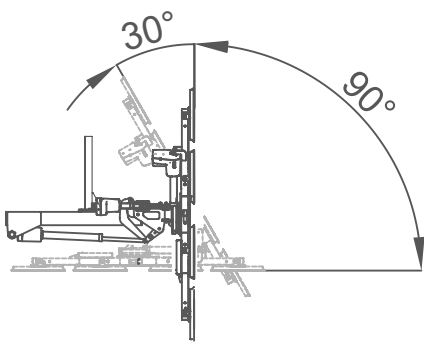
RADIO REMOTE CONTROLLED UNIVERSAL GLASS MANIPULATOR

Glass manipulators are used for accurate handling and installation of glass panes, and are faster and more efficient than a single suction cup since a single operator can pick up and lift the pane to the required height, orient it and place it in the position for fixing to the building structure.

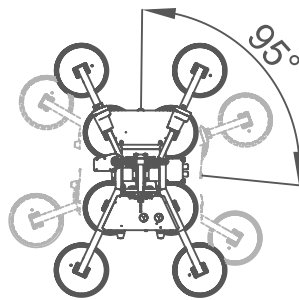
MV600R.E+ can lift panes of up to 600 kg. The operator controls the manipulator by an independent radio remote control: extremely precise movements in all four directions are possible as well as tilt and rotation. In compliance with the relevant regulations, suction cups can be used for many non-porous material.



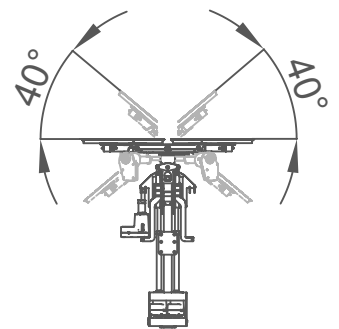
3 Different Movements



Rotation Angle



Slewing Angle



Tilting Angle



Available for **ANY CRANE**



CITY CRANES

TELE-HANDLERS



TRUCK-MOUNTED
CRANES

JEKKO CRANES

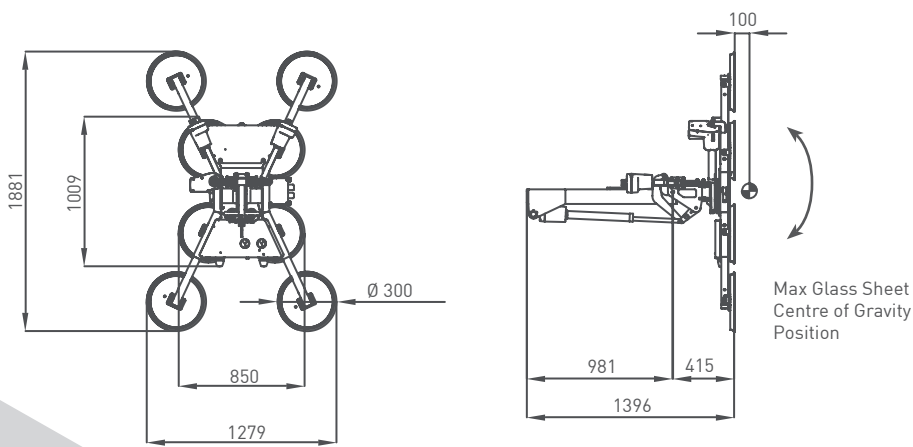


JEKKO JIBs








Battery MV 600R.E+



Technical Information

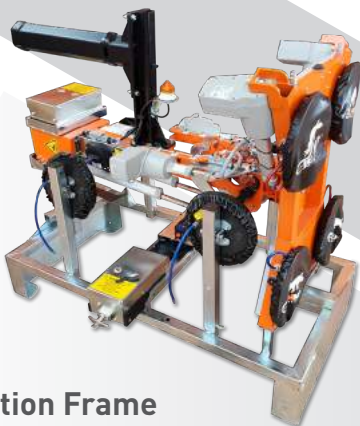


Dimension		1880 x 1400 x 1280 mm
N. of Pads		4 + 4

Weight		200 kg
Elect. System		24V
Pad Diameter		300 mm
Max SWL		600 kg
Tilting Angle		+40°/-40°
Slewing Angle		95°
Rotation Angle		+30°/-90°




✓ 2 batteries and battery charger included

✓ With independent Radio Remote Control



Rest position Frame included



N. of Pads		4	8
Factory Use		300 kg	600 kg
Building site use		150 kg	300 kg



TRANSGRUAS
ENTRE ESPECIALISTAS

www.transgruas.com
info@transgruas.com

Barcelona
938498388

Madrid
918951758

Valencia
961344538

Vitoria
945365601