










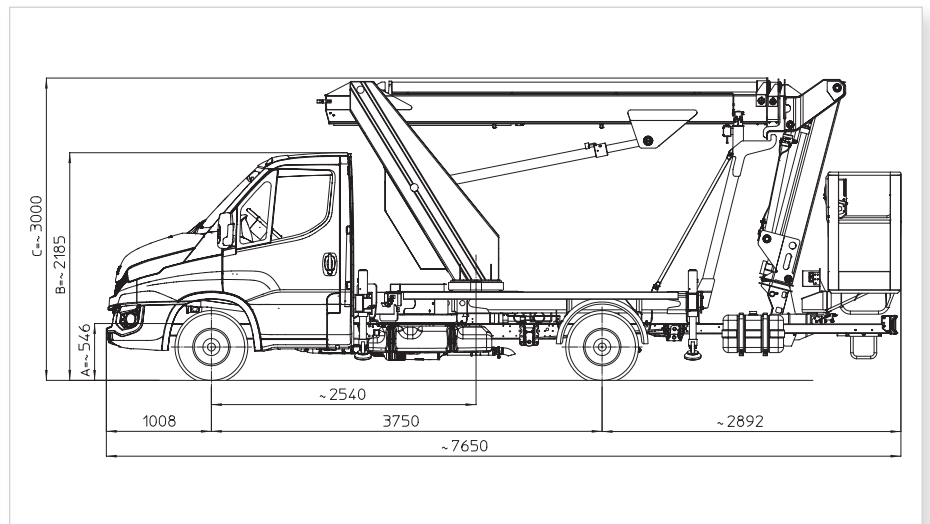
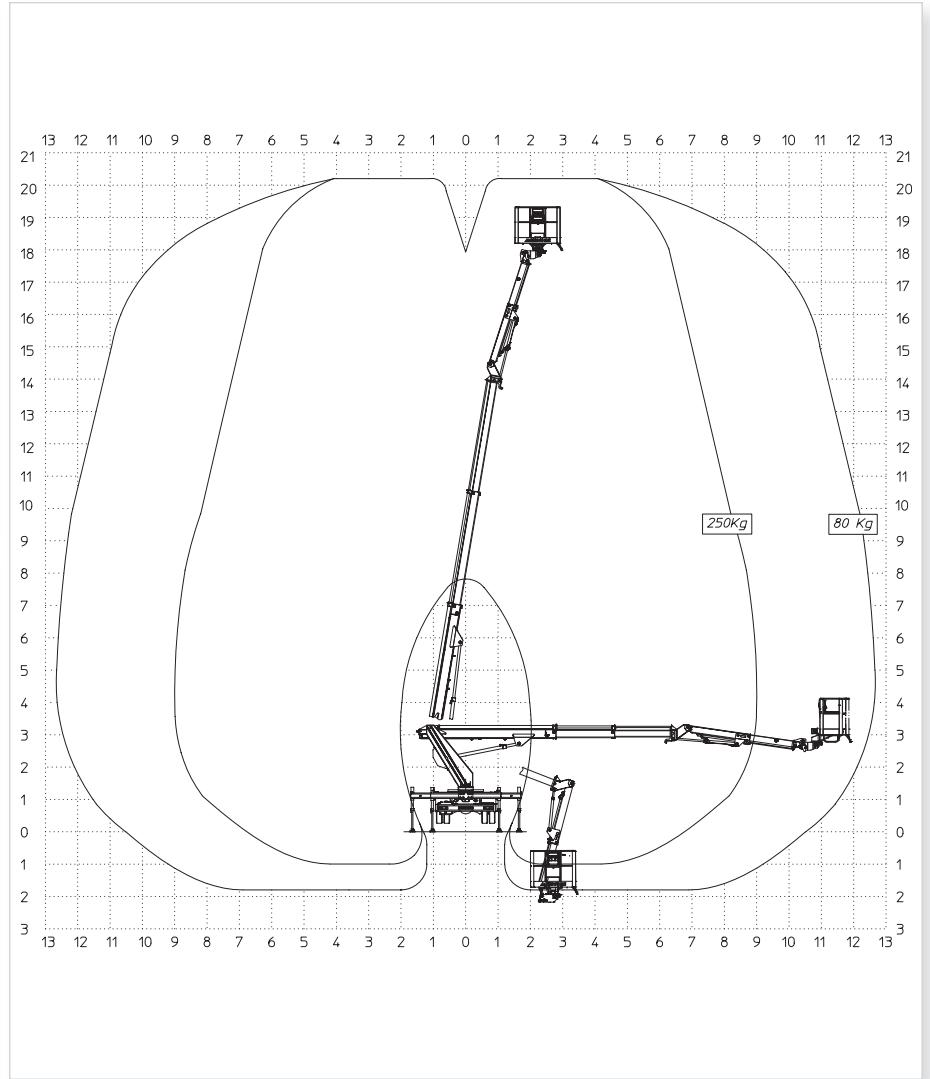
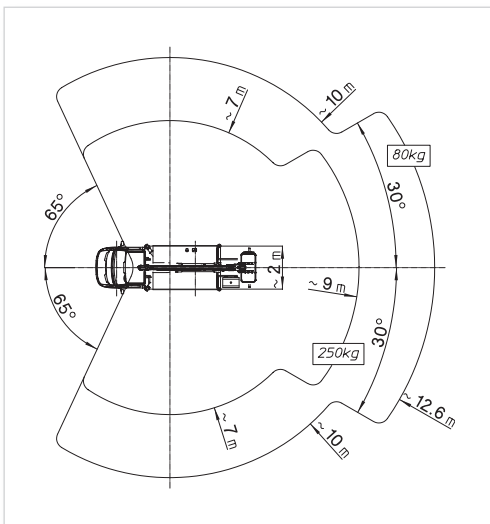
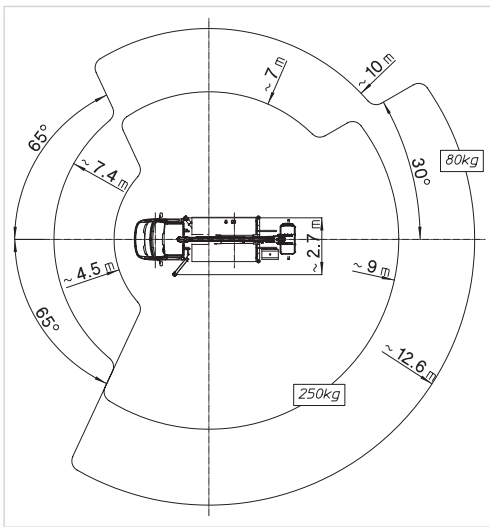
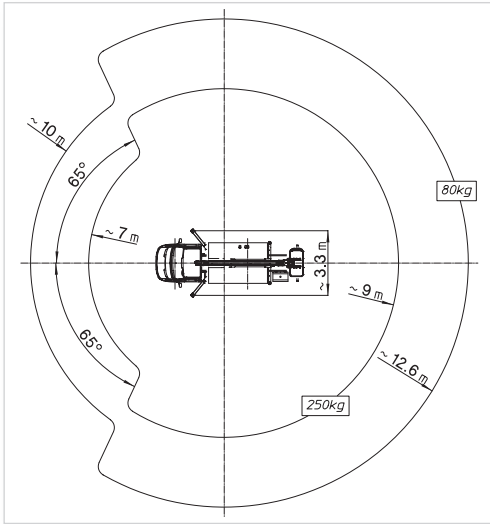


MJ 201

	20,10 m		18,10 m		9,00 m (250 kg) 12,60 m (80 kg)
	250 kg		1,40x0,70x1,10 m		90°+90°
	400°		EX Stabilizzatori a estensione laterale idraulica Stabs par vérins extensibles hydrauliquement Laterally extensible hydraulic stabilizers H-Abstützung		3,5 t

MJ201

IRONIKA



www.transgruas.com

info@transgruas.com

Barcelona
938498388

Madrid
918951758

Valencia
961344538

Vitoria
945365601