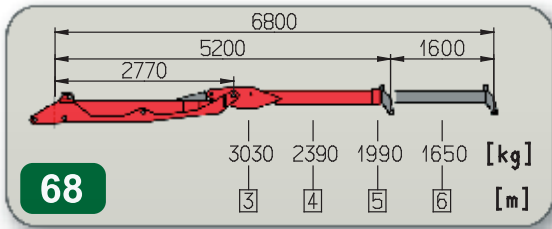
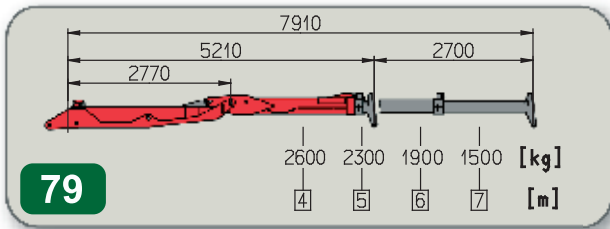
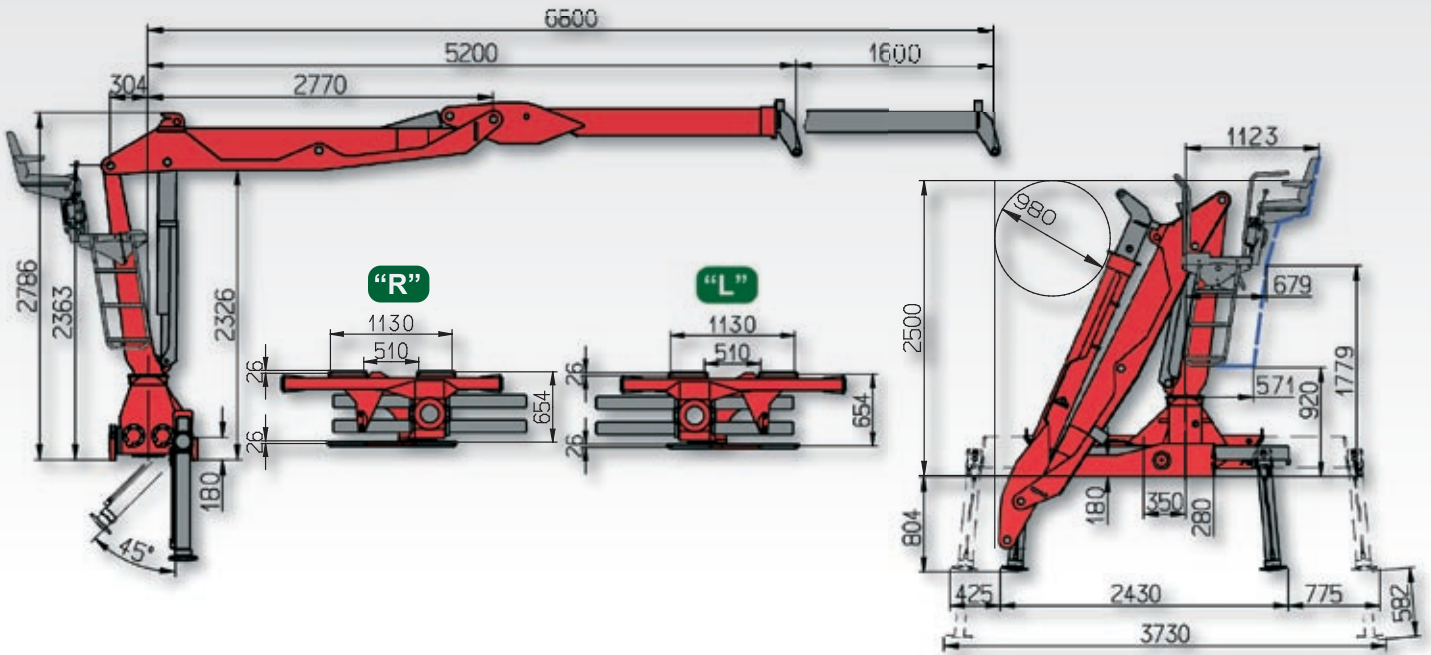
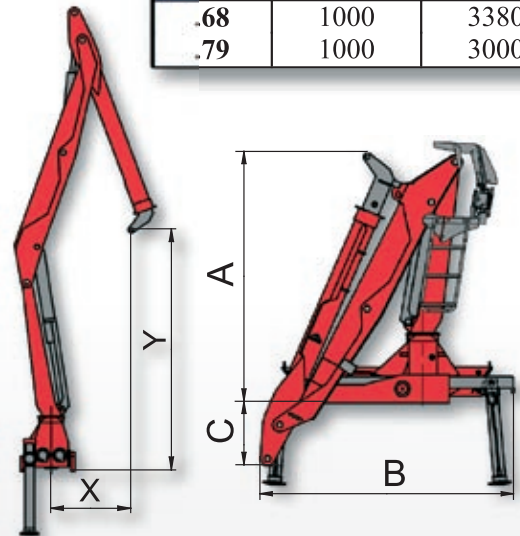


»NZ«

L110NZ



L110NZ	X	Y
.68	1000	3380
.79	1000	3000



L110NZ	A	B	C
.68	2452	2490	615
.79	2500	2500	585