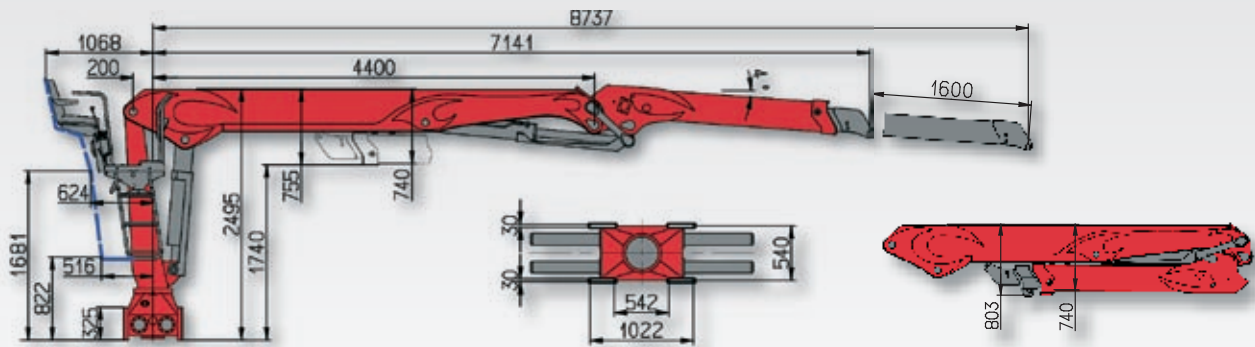


L230K / L270K


145	L270K L230K	2690	2370	2095	1840	1640	1500	1310	[kg]
		2410	2120	1870	1620	1460	1330	1150	
		8	9	10	11	12	13	14	

87	L270K L230K	6220	5040	4200	3570	3120	[kg]
		5200	4200	3490	2960	2580	
		4	5	6	7	8	

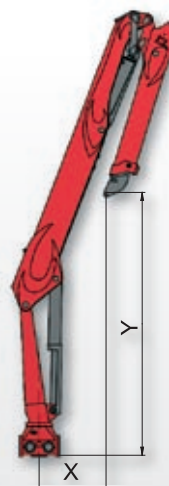
125	L270K L230K	3790	3250	2830	2480	2170	1960	1750	[kg]
		3170	2730	2400	2130	1890	1700	1540	
		6	7	8	9	10	11	12	

81	L270K L230K	6190	5060	4210	3610	2920	[kg]
		5190	4230	3500	3000	2420	
		4	5	6	7	8	

110	L270K L230K	3940	3430	2990	2600	2330	[kg]
		3260	2860	2510	2200	1970	
		6	7	8	9	10	

99	L270K L230K	6200	5080	4230	3620	2920	2320	[kg]
		5200	4250	3520	3010	2420	1930	
		4	5	6	7	8	9	

93	L270K L230K	6210	5060	4220	3580	3120	2690	[kg]
		5200	4220	3510	2960	2580	2210	
		4	5	6	7	8	9	



	X	Y
.81	1000	3320
.87	1000	3935
.93	1000	4530
.99	1000	3160
.110	1000	2865
.125	1000	4840
.145	1100	4930