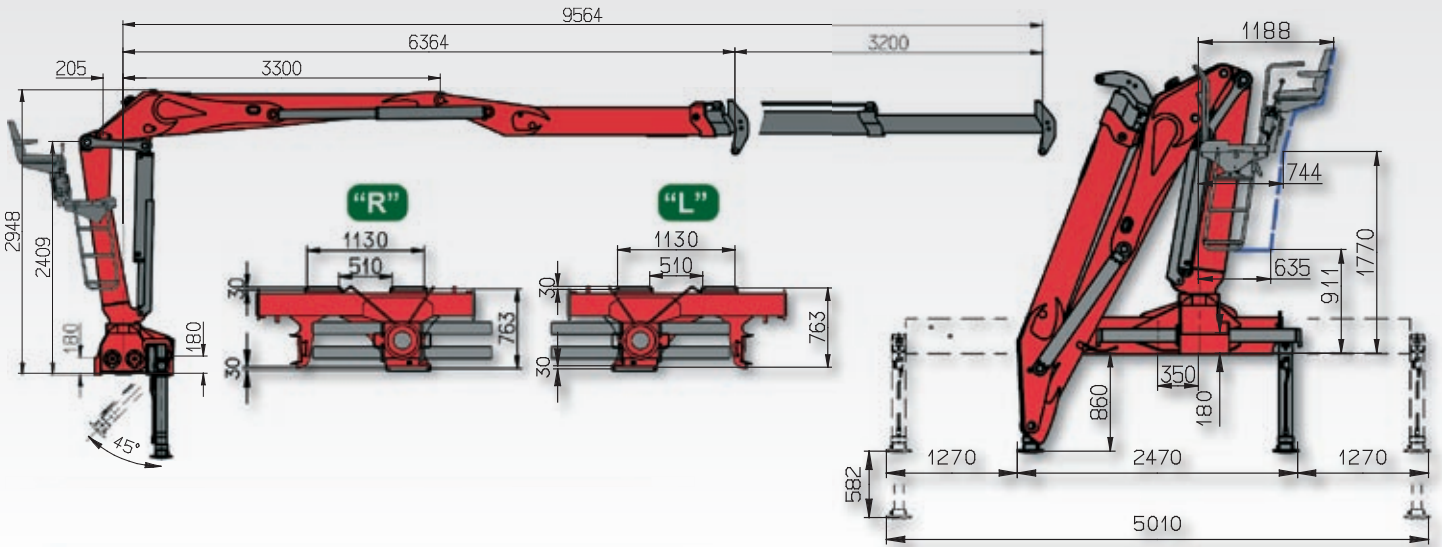


»Z«

L150Z / L170Z / L190Z



L190Z	5110	3950	3280	2890	2460	2100	1820
L170Z	4630	3560	2950	2570	2130	1860	1620
L150Z	4220	3250	2690	2350	1980	1620	1430

96

	3	4	5	6	7	8	9
--	---	---	---	---	---	---	---

[kg] [m]

L190Z	5160	3990	3310	2910	2500	2144
L170Z	4680	3620	3000	2620	2140	1880
L150Z	4280	3300	2730	2390	1960	1710

82

	3	4	5	6	7	8
--	---	---	---	---	---	---

[kg] [m]

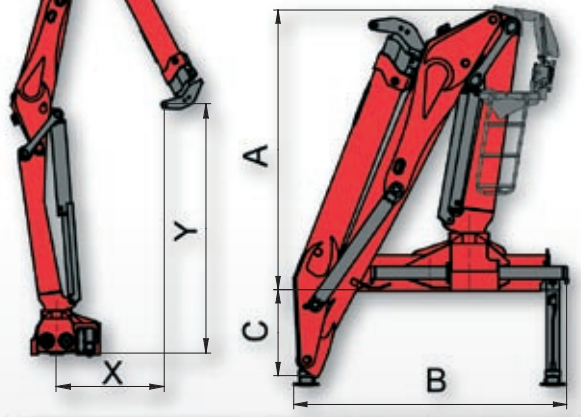
L190Z	5220	4050	3370	2980	2540
L170Z	4730	3670	3070	2660	2200
L150Z	4330	3340	2780	2430	2020

78

	3	4	5	6	7
--	---	---	---	---	---

[kg] [m]

	X	Y
.78	1205	3145
.82	1080	3435
.96	1295	2985



	A	B	C
.78	2549	2500	780
.82	2549	2500	780
.96	2549	2500	780