

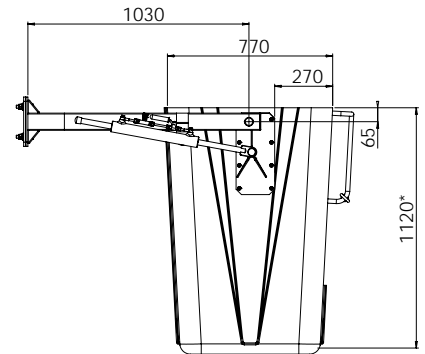
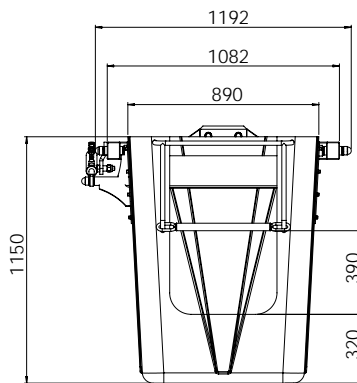


*Dal piano di calpestio
 *Inside the basket



FAV 1 VETRORESINA FIBERGLASS	770x890x1150 mm	92 Kg	120 Kg	1 Kv	1
---	-----------------	-------	--------	------	---

Necessario kit Fullmatic in conformità EN 280 - Kit Fullmatic needed for norm EN 280



FAV 1080/2 VETRORESINA FIBERGLASS	710x1100x1150 mm	95 Kg	200 Kg	1 Kv	2
--	------------------	-------	--------	------	---

Necessario kit Fullmatic in conformità EN 280 - Kit Fullmatic needed for norm EN 280

