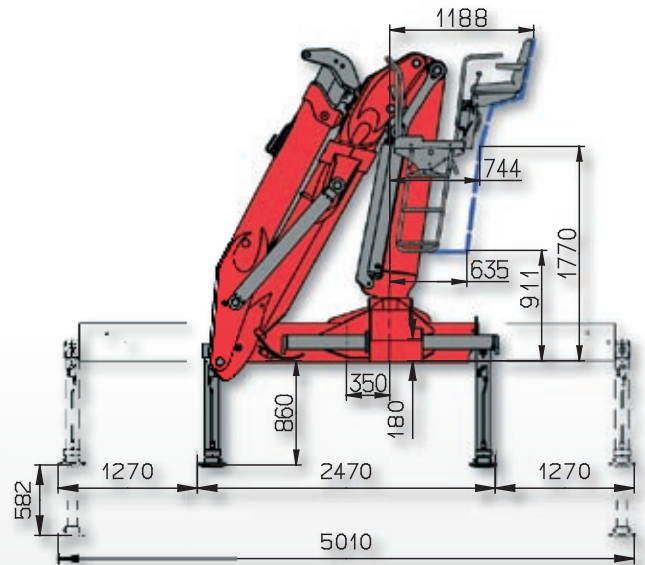
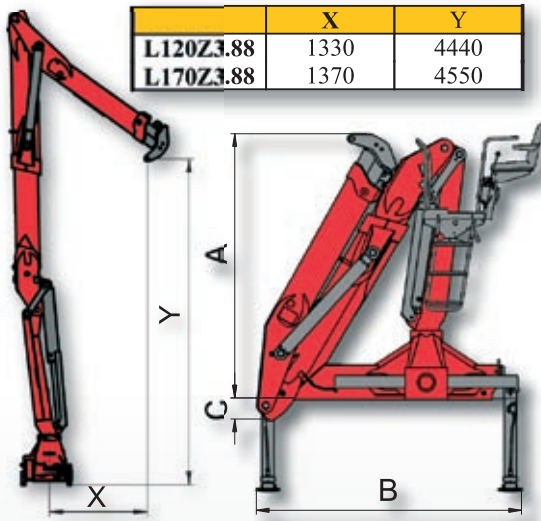
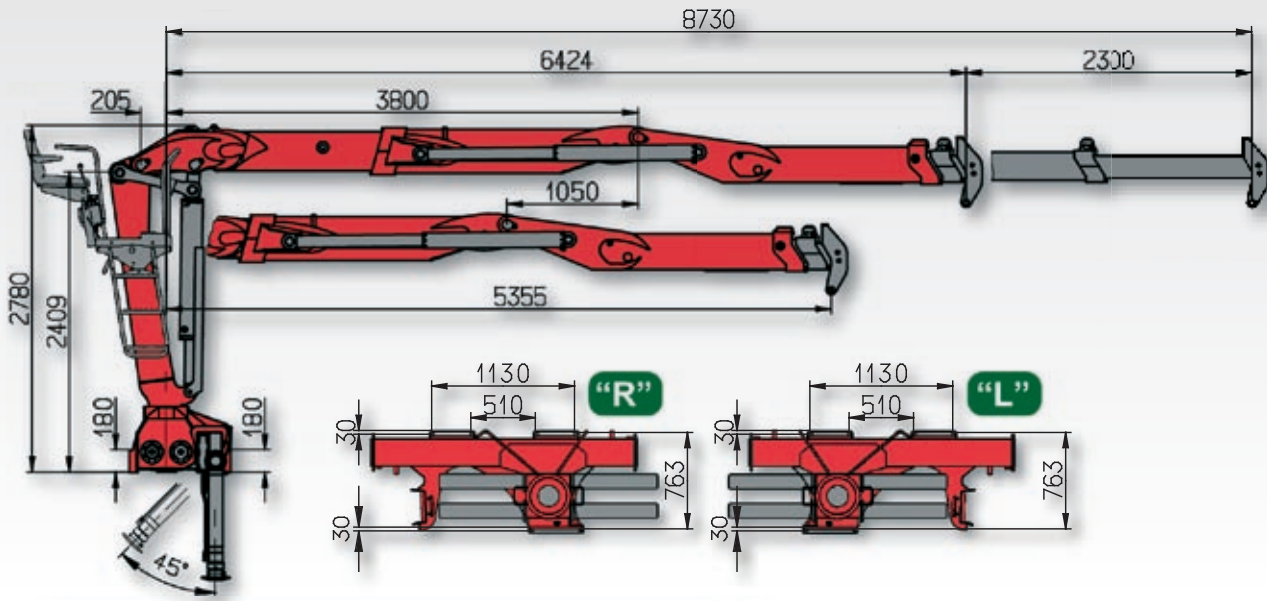


**L170Z3**



	A	B	C
L120Z3.88	2520	2493	170
L170Z3.88	2589	2500	144

