

F3 RA . HYDRAULIC RAMPS WITH ALUMINIUM PLATFORM 2 CYLINDERS

- LOAD CAPACITY**
- 2000 KG
 - 4000 KG
 - 6000 KG
 - 8000 KG
 - 10000 KG
 - 15000 KG



RAMPS



APPLICATIONS

The foreseen lengths of 3.600 mm and 4.000 mm allow a much reduced tilt, thus ensuring a simplified access of operating machines, lift trucks, motor cars and vehicles in general.

TECHNICAL SPECIFICATIONS

PLATFORM
The F3 RA is designed with aluminium profiles and a very light structure which ensures a load transfer capacity from 2.000 Kg to 15.000 Kg.

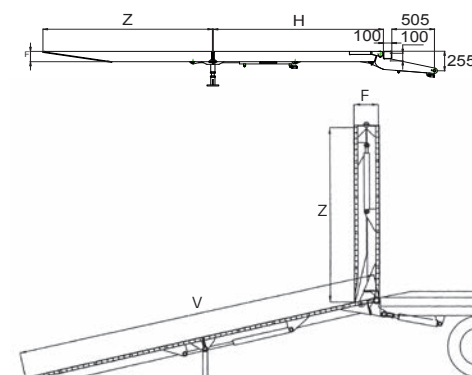
MECHANICAL FUNCTIONS
Aluminium supporting structure - Reduced weight and increased vehicle lifting capacity.
Aluminium ramp divided in two parts with folding and unfolding by means of two hydraulic cylinders.
Aluminium support feet positioned between the first and second part of the ramp.
Control box to be placed on the vehicle side.

HYDRAULIC CHARACTERISTICS
12 or 24 volt electro-hydraulic control unit to be connected to the vehicle battery.

MOUNTING
Ramp mounted on the crosspiece of the vehicle loading platform by means of three hinges. The support has to be welded by the fitter.



Mod.	Load transfer capacity (Kg)	V	Z	F	Weight (Kg)
F3RA 20-32	2000	3200	1600	220	310
F3RA 20-36		3600	1800		330
F3RA 40-36	4000	3600	1800	220	375
F3RA 40-40		4000	2000		395
F3RA 60-36	6000	3600	1800	280	385
F3RA 60-40		4000	2000		405
F3RA 80-36	8000	3600	1800	280	390
F3RA 80-40		4000	2000		410
F3RA 100-36	10000	3600	1800	310	400
F3RA 100-40		4000	2000		420



The above mentioned weights are approximate and may vary according to production.
Anteo reserves the right to change weights and technical specifications without prior notice.
No indemnity for damages can be claimed from Anteo for changes in technical specifications and/or in weight.