

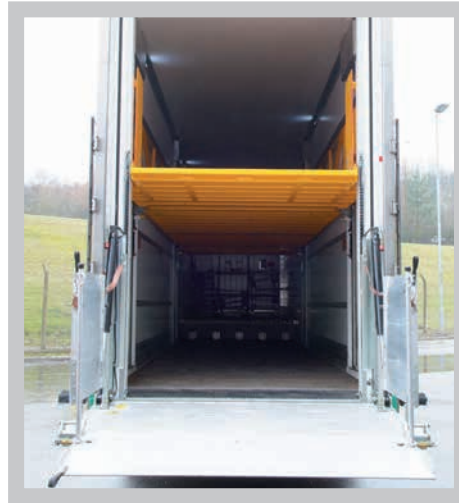


## F3 DD - G . DOUBLE DECK COLUMN LIFT 4 CYLINDERS

- LOAD CAPACITY**
- 1000 KG AT 1200 MM
  - 1500 KG AT 1200 MM
  - 2000 KG AT 1200 MM



Platform with foldable tip, Safety gate can be use as side ramp, Blinking light on platform, Foot controls, Automatic roll-stop.

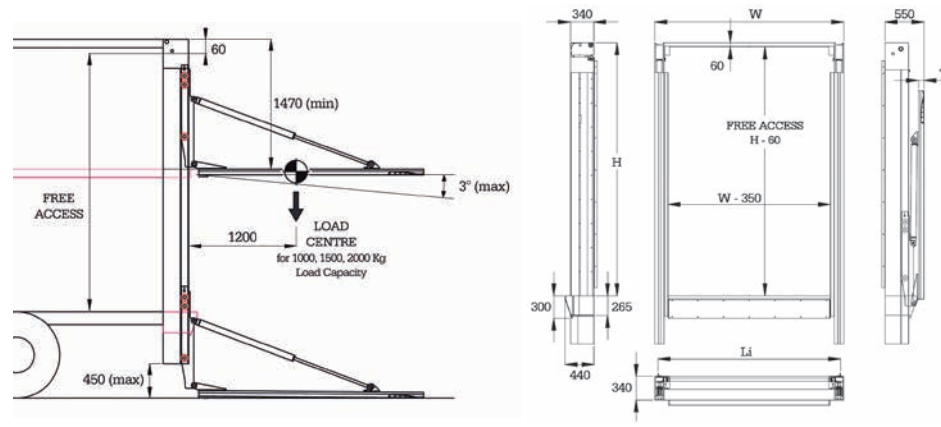


### APPLICATIONS

The F3DD 10-15-20 G is a column lift. It is a lift to access multiple loading floors and can be used for special applications and it's suitable for distribution of bulk goods.

### TECHNICAL SPECIFICATIONS

Load capacity: 1000 - 1500 - 2000 kg.
It is manufactured with a chain system operated by two lift cylinders.
The chains are built to perform effectively even in the most severe operating conditions.
Lifting system:
2 Lifting chains.
2 Lifting cylinders.
1 system with synchronized pinion and chains.
2 Safety cables.
Hydraulic power closure by means of 2 tilt cylinders.
Aluminium platform.
Power unit in floor level lift beam.
Total weight: 950 Kg (platform with ramp 2550 x 1700 with folded ramp).
Platforms with a depth greater than 2600mm are supplied with a closure limit switch
Safety gates (optional).



Tail-lift is always built according to customer's request.

The above mentioned weights are approximate and may vary according to production. Anteo reserves the right to change weights and technical specifications without prior notice. No indemnity for damages can be claimed from Anteo for changes in technical specifications and/or in weight.