

F3 DD - R . DOUBLE DECK COLUMN LIFT 4 CYLINDERS

- LOAD CAPACITY**
- 1000 KG AT 1200 MM
 - 1500 KG AT 1200 MM
 - 2000 KG AT 1200 MM



DOUBLE
DECK
COLUMN
LIFT



APPLICATIONS

The F3DD 10-15-20 R is a column lift.

It is a lift to access multiple loading floors and can be used for special applications such as:

- Race car Transporters;
- Motorcycle Transporters.

TECHNICAL SPECIFICATIONS

Load capacity: 1000 - 1500 - 2000 kg

It is manufactured with a chain system operated by two lift cylinders.

The chains are built to perform effectively even in the most severe operating conditions.

Lifting system:

2 Lifting chains.

2 Lifting cylinders.

1 system with synchronized pinion and chains.

2 Safety cables.

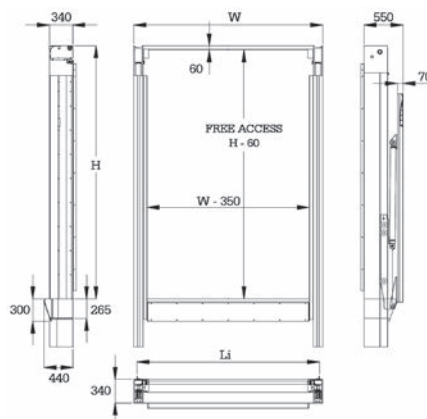
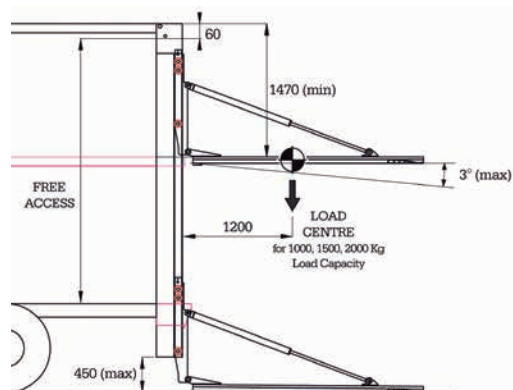
Hydraulic power closure by means of 2 tilt cylinders.

Aluminium platform.

Power unit in floor level lift beam.

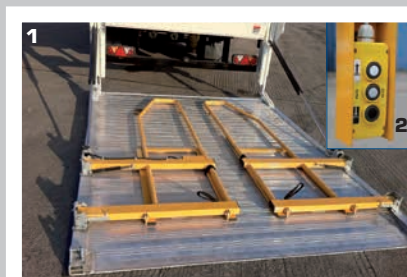
Total weight: 950 Kg (platform with ramp 2550 x 3200 + 1000).

Safety gates (optional).



The lift can be produced on basis of the individual needs of the customers: it can be delivered with special size and different equipment.

The above mentioned weights are approximate and may vary according to production.
Anteo reserves the right to change weights and technical specifications without prior notice.
No indemnity for damages can be claimed from Anteo for changes in technical specifications and/or in weight.



- 1 - Rail on the the three sides, hinged on the truck bed and reclining. The mechanism is equipped with a gate device for loading and unloading operations.
- 2 - Fixed control device installed on the rail.