



F3 CO 05 S . COLUMN TAIL-LIFT FOR VERY NARROW BODY - 1 CYLINDER

LOAD CAPACITY

- 500 KG



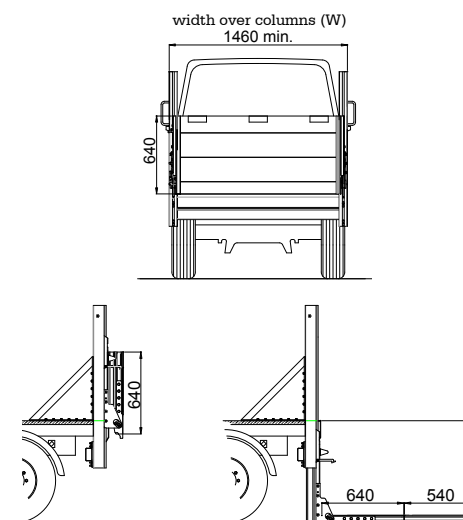
The lift provides a facility to load the rear of the vehicle

APPLICATIONS

This lift has been designed for utility and light commercial vehicles with flatbed or dropsided bodywork. With a lifting capacity of 500 kgs, the lift provides a facility to load the rear of the vehicle over the lowered platform without having to unfold the platform, reducing the possibility of damaging the platform. It also has a much reduced drag effect on dropsided vehicles when travelling, due to the folded platform, and gives the vehicle better fuel economy than with a full depth platform.

TECHNICAL SPECIFICATIONS

Pillars:	Aluminium
Cylinders:	1 single acting
Main beam:	Aluminium
Platform:	Aluminium
Standard platform depths:	700 - 900 - 1100
Tip depths:	180 mm
Standard control:	unit Exterior fix control



TECHNICAL DATA

W (min)	E (max)
1460	800
1510	900
1560	1000
1610	1100
1640	1160



* Width over columns minimum 1460 mm (on demand)

Centre of gravity of the vehicle depending on the platform depth and the type of the installations on the vehicle (see assembly instructions). The above mentioned weights are approximate and may vary according to production. Anteo reserves the right to change weights and technical specifications without prior notice. No indemnity for damages can be claimed from Anteo for changes in technical specifications and/or in weight.