

F3 V050 . TAIL-LIFT FOR PANEL VANS

3 CYLINDERS

LOAD CAPACITY

- 500 KG



PANEL VAN LIFTS



APPLICATIONS

F3 V050 has been designed and built for the 3.5 ton panel van range and can be installed easily without modifications to the host vehicle.

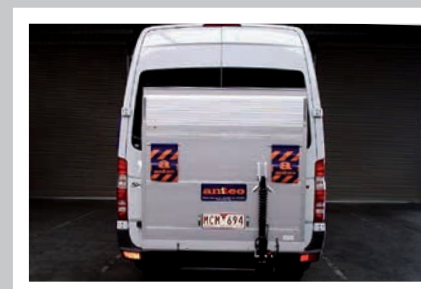
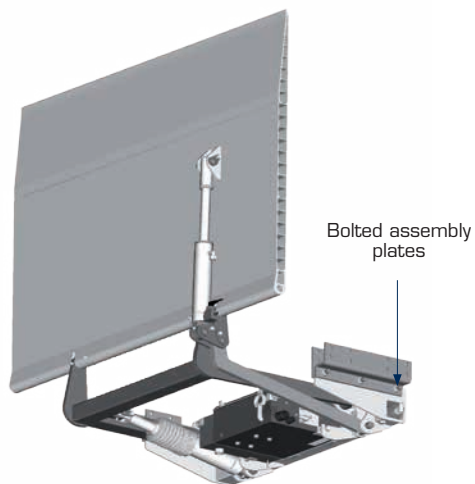
Installation is made quick and easy with individual mounting brackets for most vans.

F3 V050 is especially designed for:

| | |
|------------|--------------------|
| Citroen | NEW JUMPER / RELAY |
| Fiat | NEW DUCATO |
| Ford | NEW TRANSIT |
| Iveco | DAILY |
| Mercedes | NEW SPRINTER |
| Nissan | NV400 |
| Opel | MOVANO |
| Opel | VIVARO |
| Peugeot | NEW BOXER |
| Renault | NEW MASTER |
| Renault | TRAFFIC |
| Volkswagen | CRAFTER |
| Volkswagen | TRANSPORTER |

TECHNICAL SPECIFICATIONS

| | |
|--|---|
| Lift frame: | Custom-made frame mounted on panel van chassis |
| Cylinders: | 1 lift cylinders + 1 tilt cylinders + 1 automatic tilt cylinder |
| Tilt cylinders: | Double acting |
| Platform opening: | Powered opening |
| Automatic tilt at ground level: | Yes, Hydraulic |
| Platform material: | Aluminium |
| Platform overlap under floor: | -50 mm |
| Standard platform depths Alu: | 1400-1600 mm |
| Standard platform widths Alu: | On demand depending on panel van type |
| Main control: | Extra-thin control with in cab switch |
| Voltage: | 12 V |
| Max Power Consumption: | 130 Amp |
| Max Pressure Valve Setting: | 140 bar |
| Up-stroke Speed (Full Load): | 5 m/min |
| Down-stroke Speed (Full Load): | 8 m/min |
| Oil Tank Capacity: | 2 litri |
| Noise Level | < 70 dB |
| Electric Motor Power: | 1600 Watt |
| Weight for Complete Tail-lift with Platform Depth 1400 mm: | 179 kg |
| Weight for Complete Tail-lift with Platform Depth 1600 mm: | 185 kg |
| Mounting: | Bolted assembly plates |



Anteo reserves the right to change weights and technical specifications without prior notice. No indemnity for damages can be claimed from Anteo for changes in technical specifications and/or in weight.